



Pyranometer Mounting Plate, Gen I #14502

**Introduction**

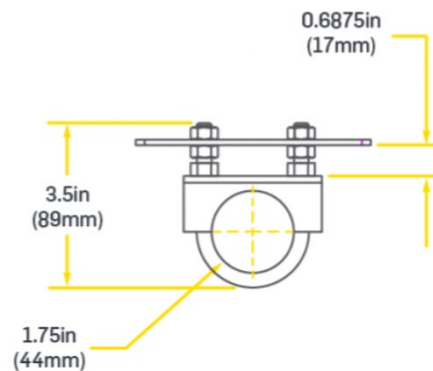
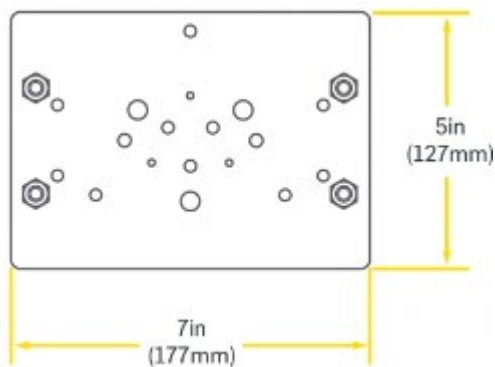
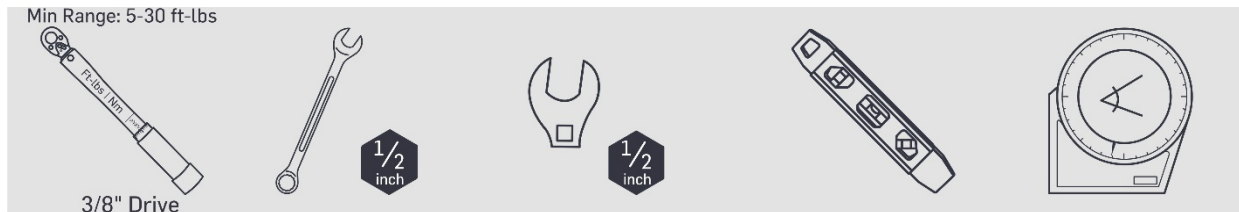
NRG has developed a simple and effective way to mount a variety of pyranometers onto NRG Systems' Solar Pyranometer mounting boom. This rectangular bracket has holes to accommodate the following pyranometers:

- Delta-T SPN1 Pyranometer
- Li-Cor LI-200R Pyranometer
- Hukseflux LP02, SR11, SR20 Pyranometers
- Kipp & Zonan CMP and SMP Pyranometers
- EKO MS series Pyranometers

**#14502: Parts/BOM**

NRG Part Number	Part Description	Part Specification Notes	Quantity
6679	Mounting Plate	5" x 7" Anodized Aluminum Plate	1
14223	Clamping U-bolt	1.75" ID	2
14407	U-Bolt	1.75" ID	2
14356	Nut	1.75", galvanized	12

**Tools**

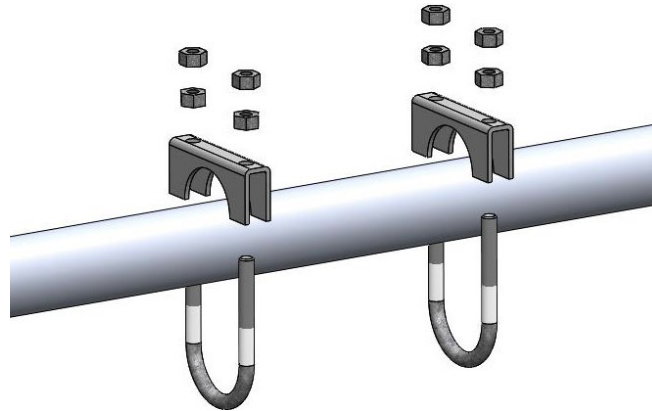




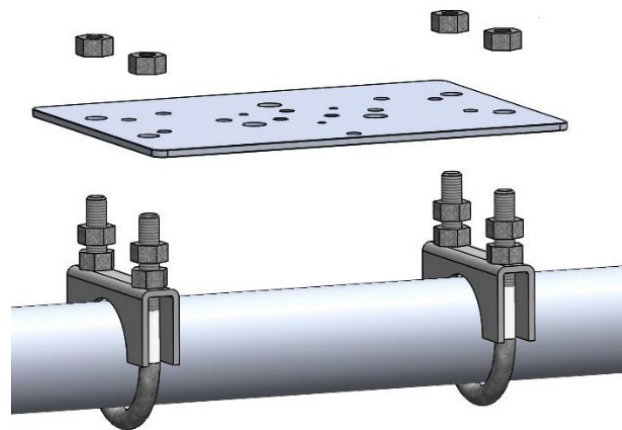
## Pyranometer Mounting Plate, Gen I #14502

**Procedure**

- 1 Assemble the pair of clamping U-bolts around the pipe boom as shown below. Hand-tighten the lower sets of nuts and leave the upper nuts loose.



- 2 Line up the mounting holes on each end of the Universal Mounting Plate with a U-bolt. Place the plate onto the U-bolts and loosely thread on a third set of nuts.

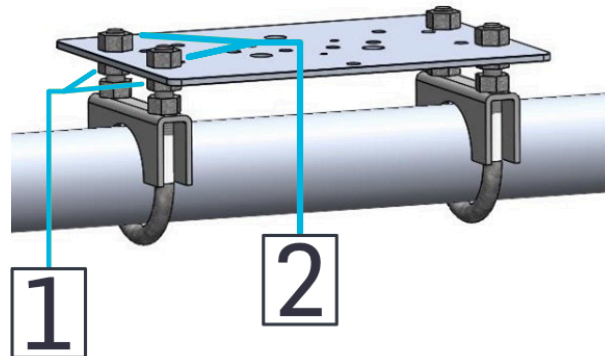
**NOTICE**

*It may make sense to install the sensor to the mounting plate before installing the plate on the U-bolts. In that case, follow the mounting instructions for the sensor, then proceed to Step 2 of these instructions.*

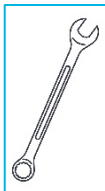


Pyranometer Mounting Plate, Gen I #14502

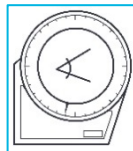
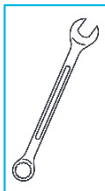
- 3 Rotate the plate to the desired orientation, then secure the plate to the U-bolts.



If installing the mounting plate horizontally, use a bubble level to ensure the plate is flat and tighten the middle (1) & upper (2) sets of nuts of each U-bolt to the plate with a wrench to secure.



If installing the mounting plate at an angle (GPOA) use an angle finder to obtain the desired tilt and tighten the middle (1) & upper (2) sets of nuts to the plate with a wrench to secure.

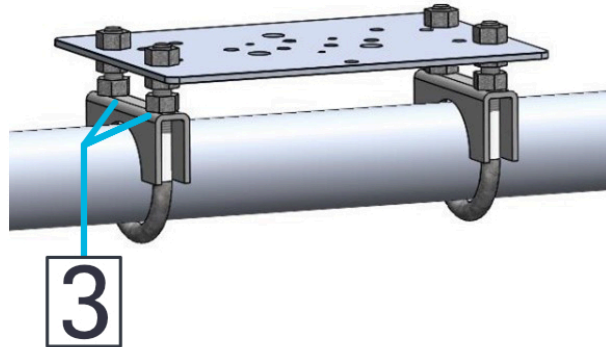
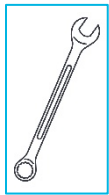


The best practice is to level the plate by moving the middle set of nuts (1), then tighten the upper set (2), then recheck level.



Pyranometer Mounting Plate, Gen I #14502

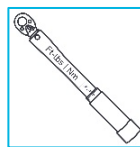
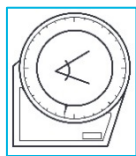
- 4 With the mounting plate set to the desired angle, secure both U-bolts to the pipe boom by tightening the lowest set of nuts (3) against the U-bolt clamps with a wrench.



- 5 Torque all U-bolt nuts to **13 ft-lbs (17.6 Nm)**.



- 6 Check the angle of the plate after securing the assembly to the boom. Make adjustments & retorque all hardware if necessary.



- 7 If not done earlier in the process, attach the sensor to the plate per the manufacturer's instructions. Required tools may vary, and are not listed in these instructions.